

1. Finish Goods PKG photo



2. Packing method

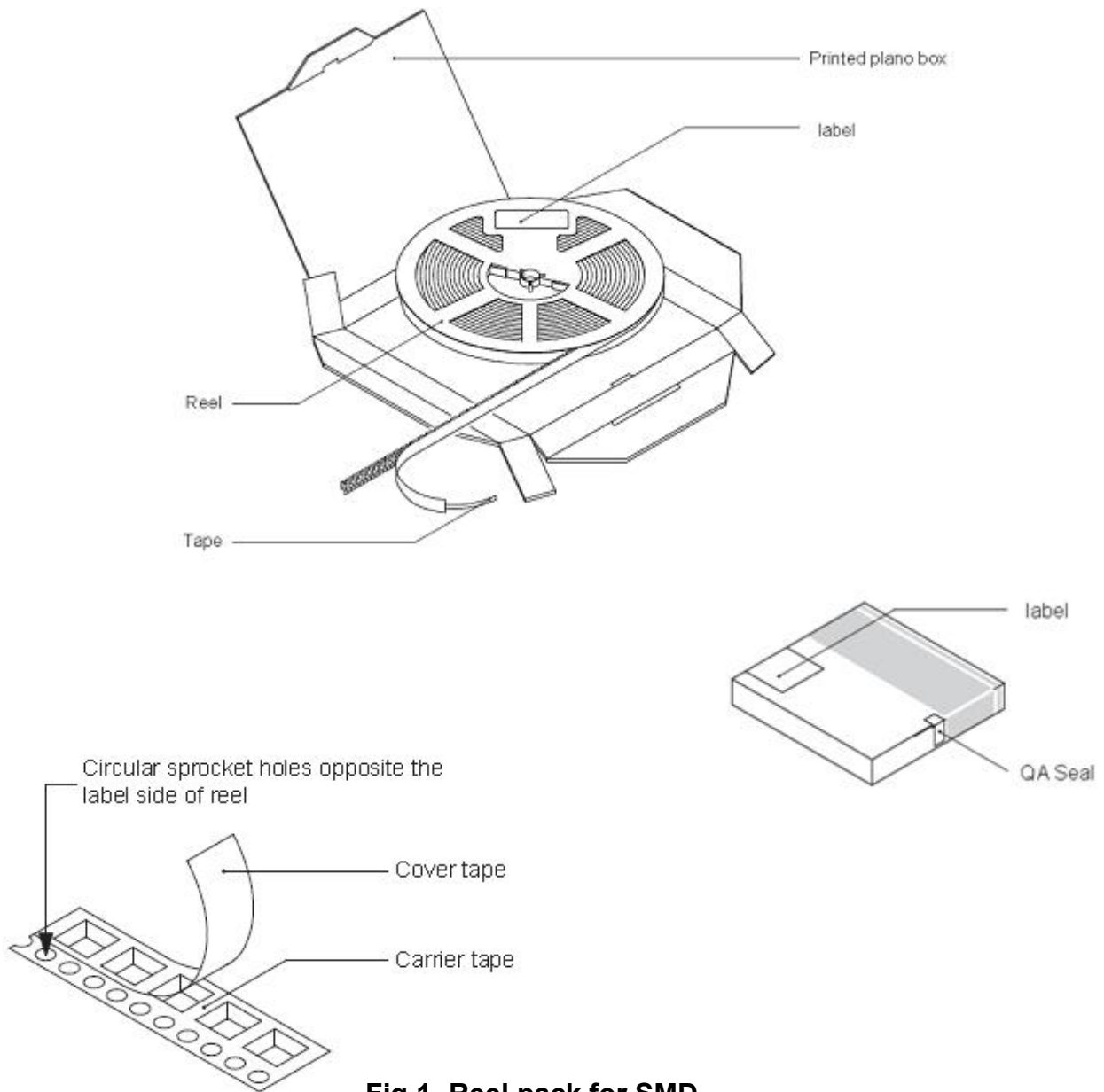


Fig.1- Reel pack for SMD

Table 1. Packing information

Package version	Reel dimensions $\phi \times H$ (mm)	Pcs/Reel (pcs)	Reels per Inner box	Inner box dimensions L×W×H (mm)
SMBF	$\phi 330 \times 14.7$	5000	2	336×336×40

3. Product orientation

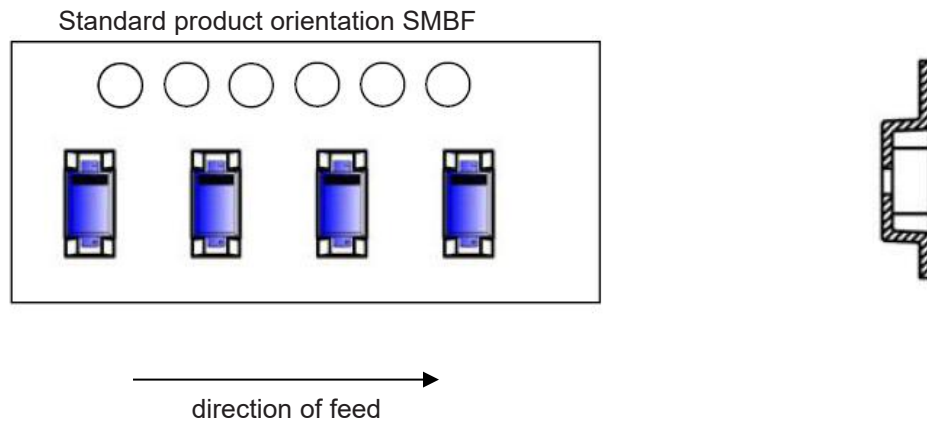


Fig 2. Product orientation in carrier tape

4. Carrier tape dimensions

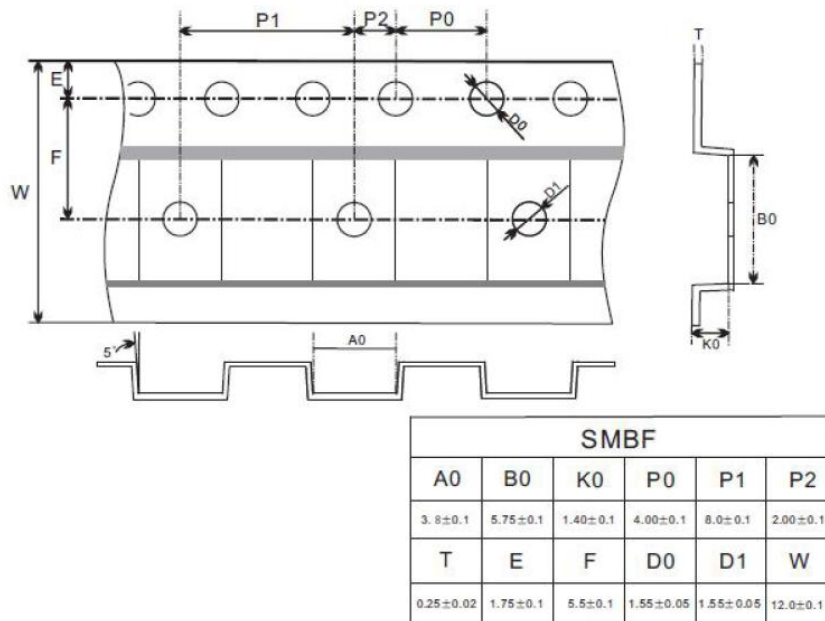


Fig 3. Carrier tape dimensions

5. Reel dimensions

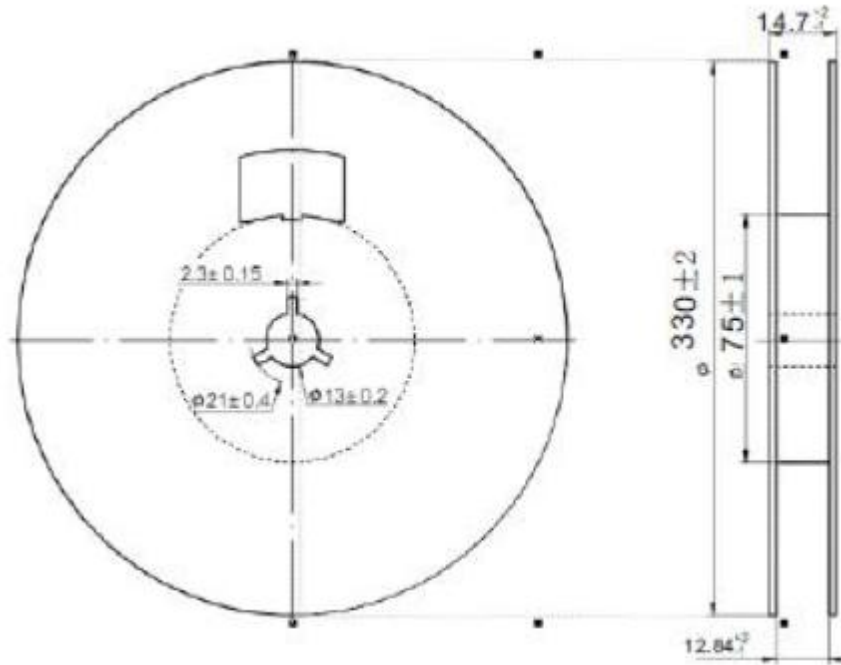


Fig 4. Reel dimensions